

NOTES:

1. INSTALLATION TO BE COMPLETED PER MANUFACTURER'S SPECIFICATION.
2. REFER TO [DexEra Composite Fence Installation Guide](#) FOR CONSTRUCTION DETAILS AND PRODUCT INFORMATION
3. DRAWING NOT TO SCALE.

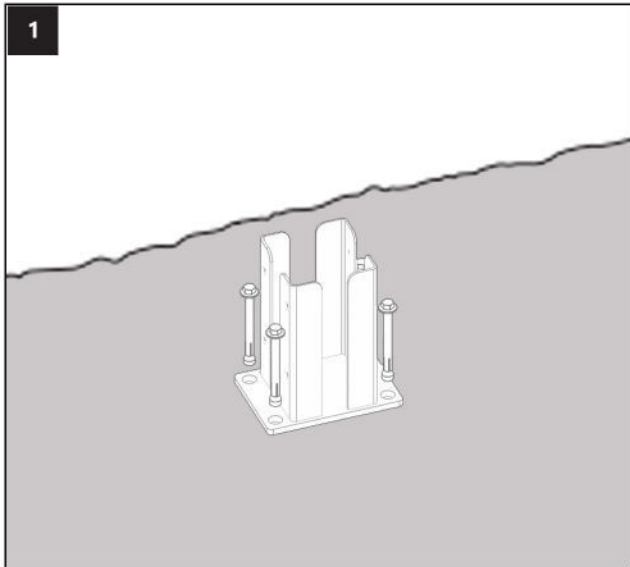
	DESCRIPTION	QUANTITY	LENGTH
	Cap Cover for Aluminum Post	2	
	Cover for 6' Aluminum Post (80 * 80) Channel	4	1880
	Composite Fence Panel Horizontal (GK20-160)	12	1800
	Aluminum Rail for Top and Bottom of Composite Panels	2	1800

ITEM No.	DESCRIPTION	QUANTITY	LENGTH
	6' Aluminum Post (80 * 80) with 4side channel	2	1880
	L-shaped Fastening Corner for Fixing Aluminum Rail	2	
	Hexagon Screw for Fastening Corner	2	
	Inner box details	8	
	Round cap screws 4 * 20	12	

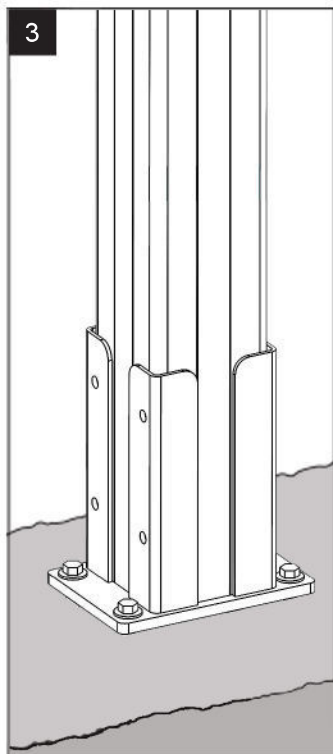
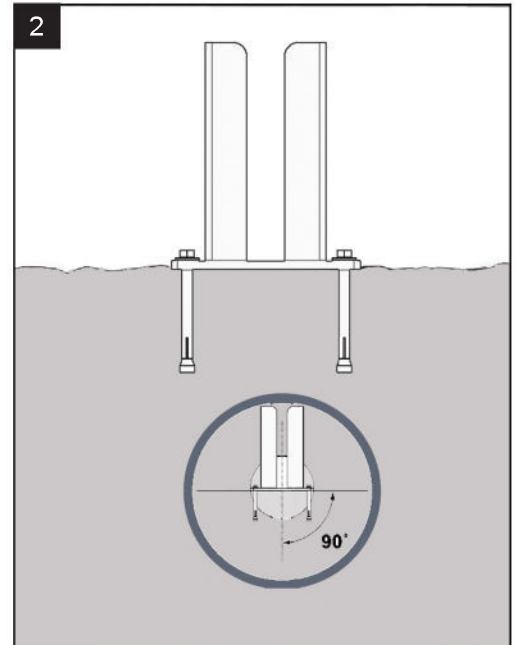
Component lengths may vary

Install the steel base

1. Check with your local government to determine if the fence requires a permit. This fence requires the use of expansion screws, please ensure that the installation area is solid enough before proceeding. Use the expansion screws to secure the steel base to the ground and tighten the expansion screws.

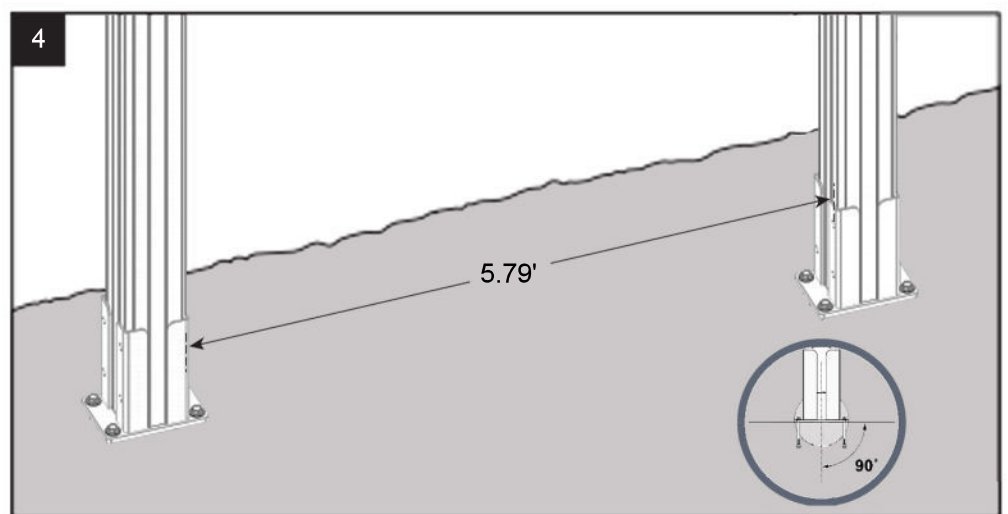


2. Make sure the steel base is 90° vertical to the ground.

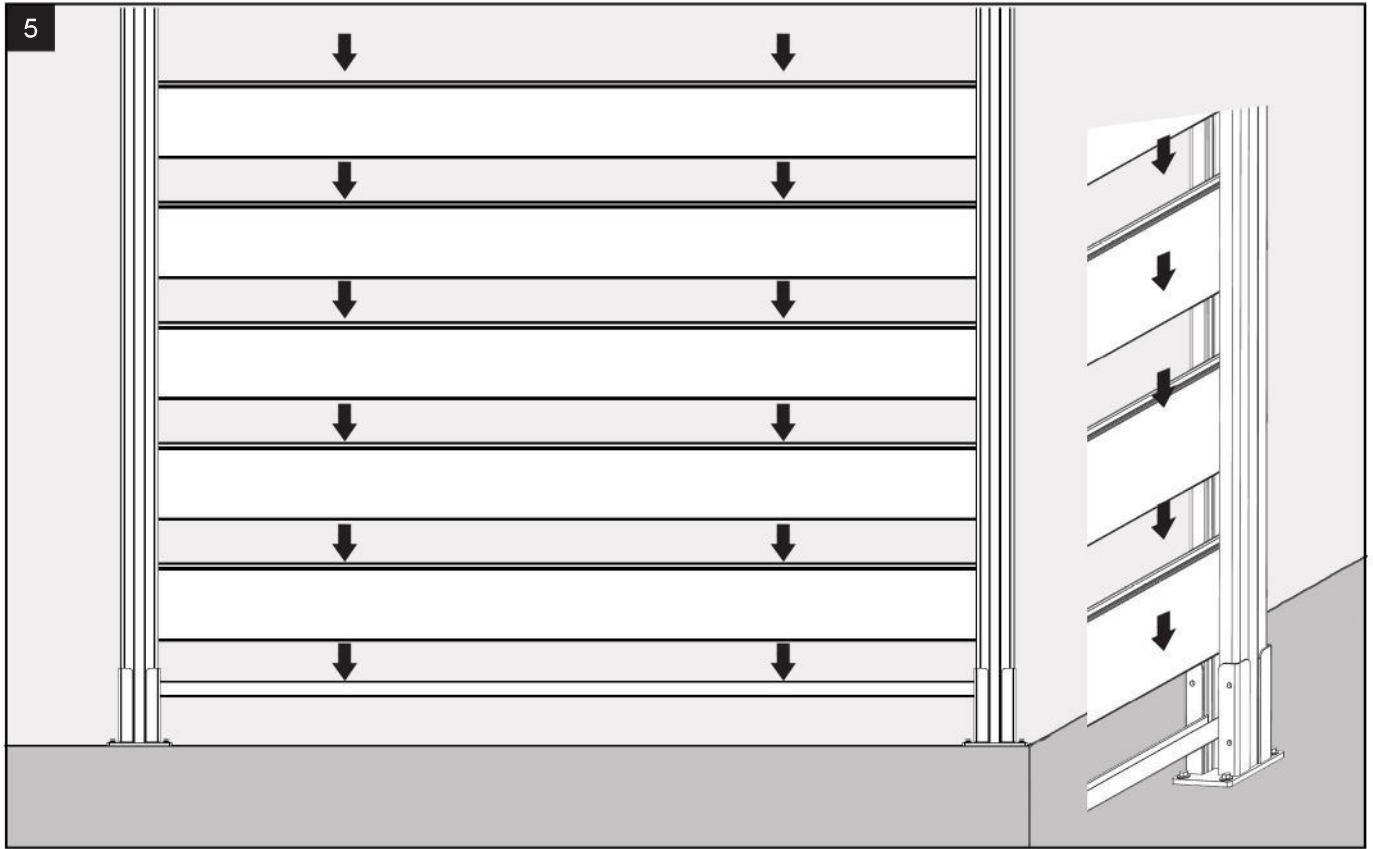


3. Install fence posts by setting fence posts in holes at 90° vertically with dry concrete—not wet concrete. After you pour water into the dry mix, the water momentarily fills the hole before filtering out through the soil. The concrete then hardens in less than an hour.

4. Posts inner gaps shall be 5.79'.



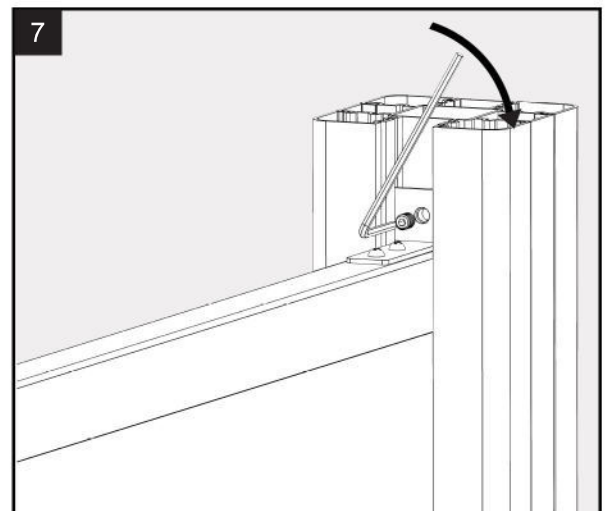
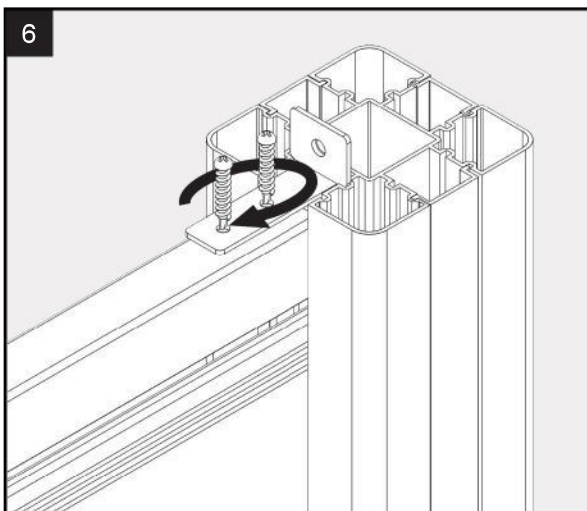
5. Put the aluminum alloy lower guide rail and the fence plate into the aluminum alloy post groove in turn.



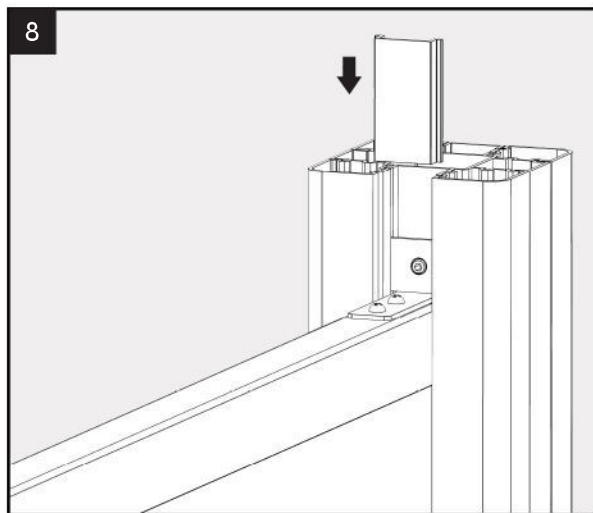
6. Install the aluminum alloy upper guide rail, and use 4*20 round head drill screws to fix the L-shaped fastening corner and the aluminum alloy upper guide rail.

Note: The tightening corner needs to be placed in the second slot.

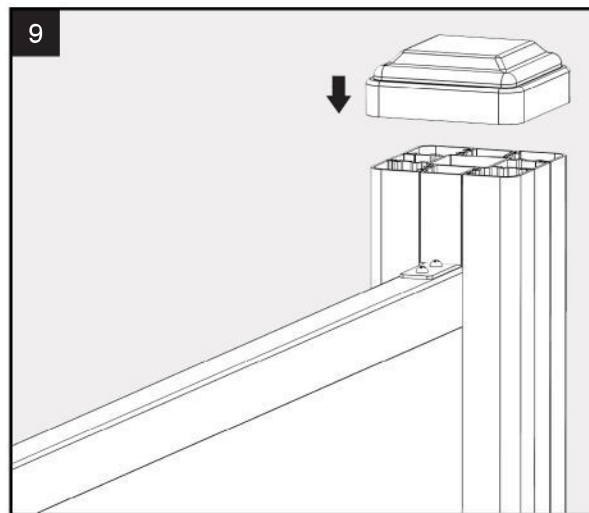
7. Use an Allen wrench to tighten the L-shaped fastening corner, so that the L-fastening corner is firm and does not shake.



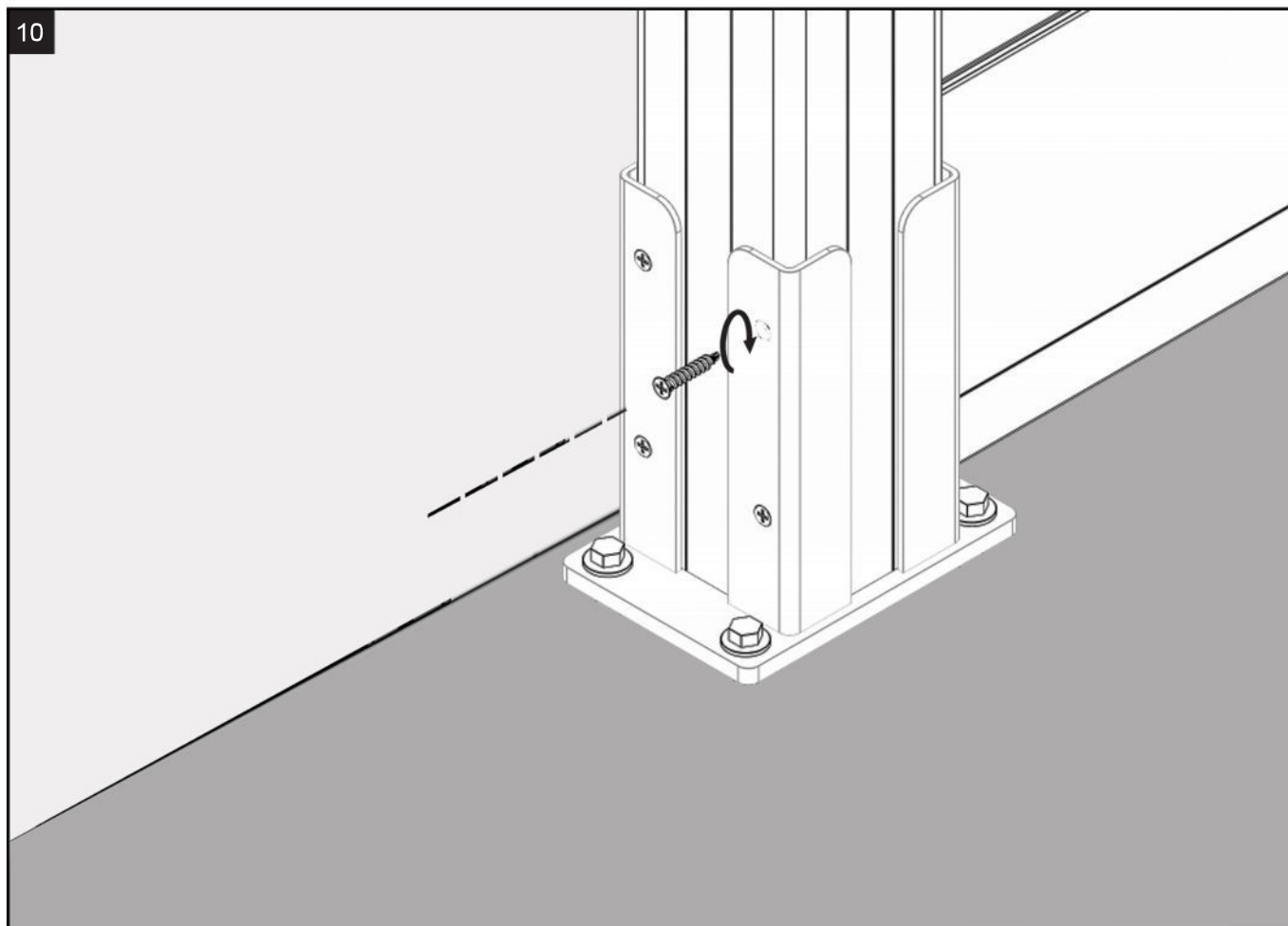
8. Insert the aluminum alloy edge banding plate into the first slot of the aluminum alloy post to hide the L-shaped fastening corner.



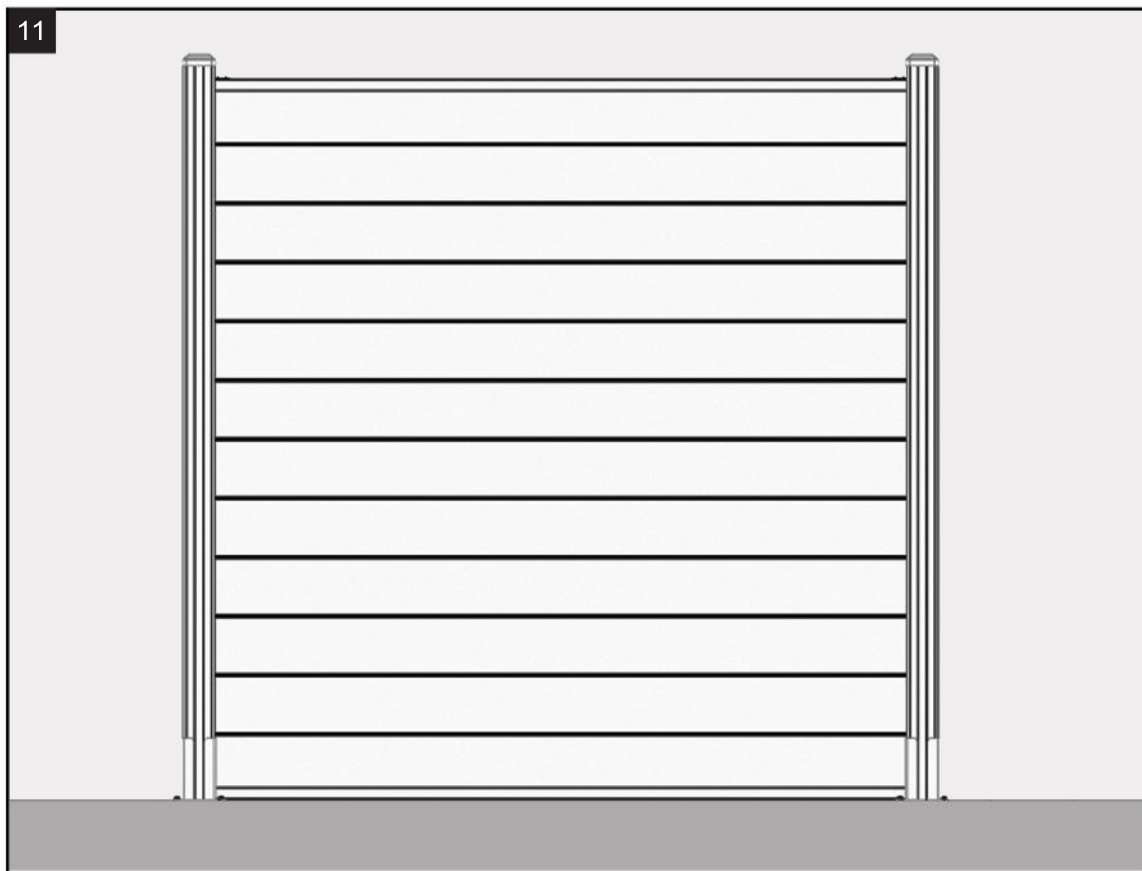
9. put the aluminum alloy cap.



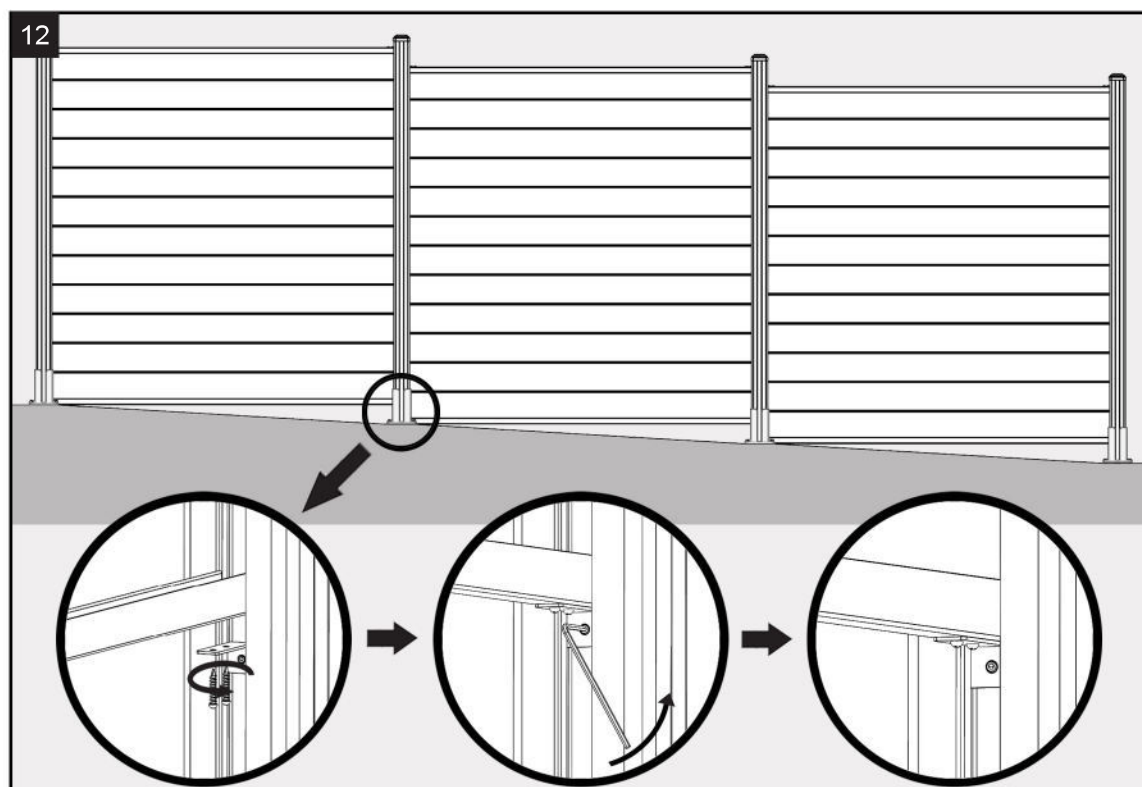
10. Fix the base screws, and the base screws are requested with 4*25 countersunk drill screws.

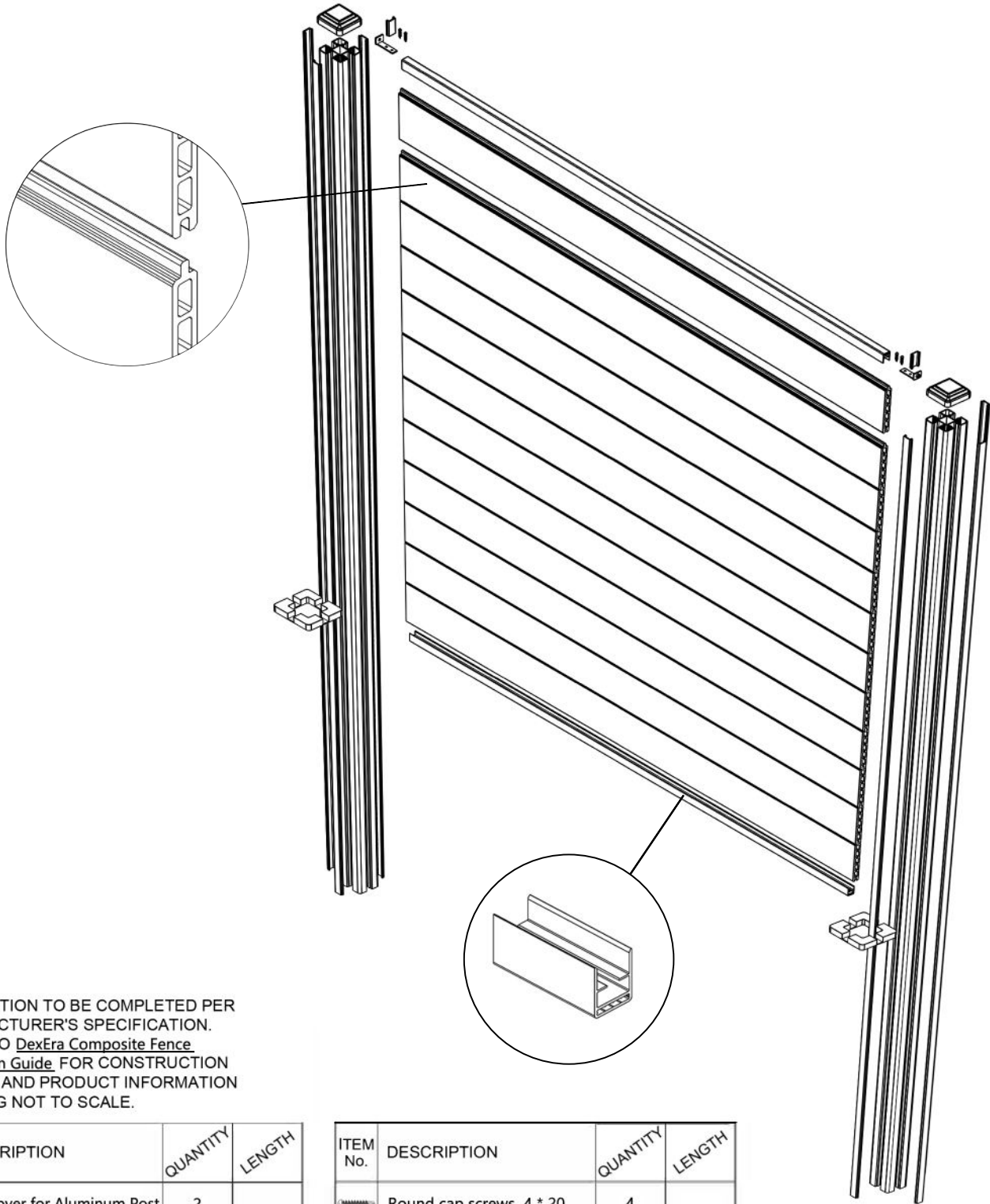


11. Complete the installation.



12. Some areas cannot be installed horizontally due to conditions, so it is necessary to install the L-shaped fastening corner under the aluminum alloy lower guide rail, use the 4*20 round cap drill tail screw to fix the lower guide rail and the L-shaped fastening corner, use the hexagonal inner screw to fasten the L-shaped fastening corner, and adjust the horizontal position to complete the installation.





NOTES:

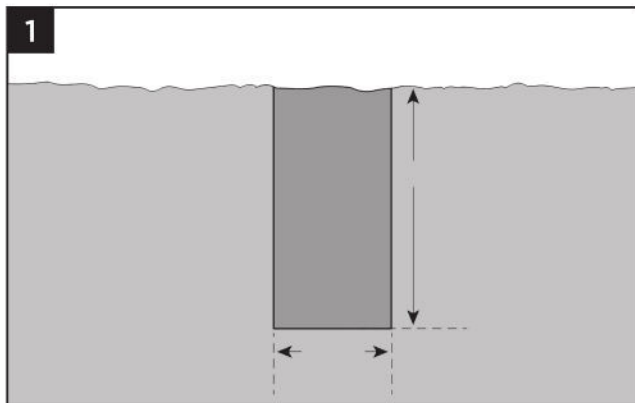
1. INSTALLATION TO BE COMPLETED PER MANUFACTURER'S SPECIFICATION.
2. REFER TO [DexEra Composite Fence Installation Guide](#) FOR CONSTRUCTION DETAILS AND PRODUCT INFORMATION
3. DRAWING NOT TO SCALE.

	DESCRIPTION	QUANTITY	LENGTH
	Cap Cover for Aluminum Post	2	
	Cover for 6' Aluminum Post (80 * 80) Channel	6	3050
	Composite Fence Panel Horizontal (GK20-160)	12	1800
	Aluminum Rail for Top and Bottom of Composite Panels	2	1800

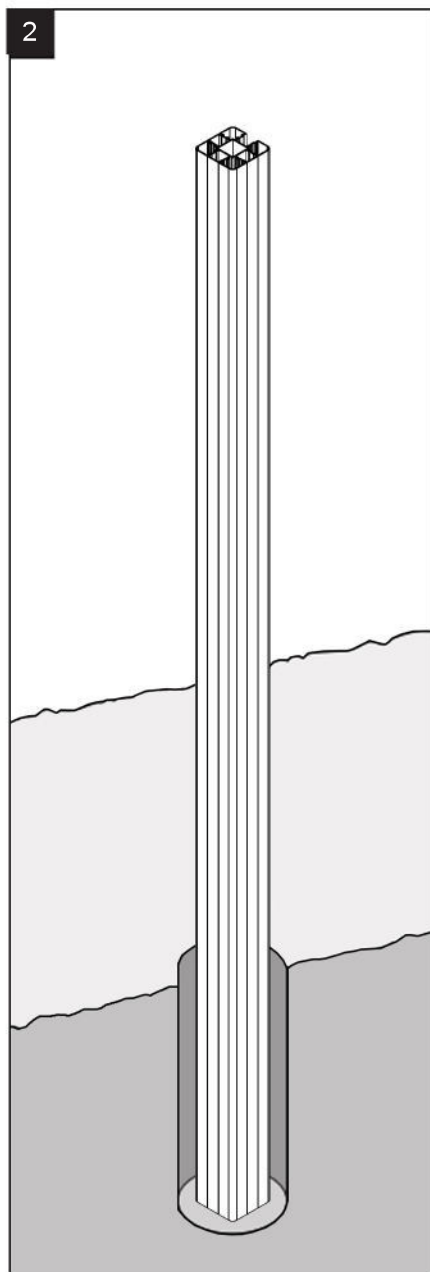
ITEM No.	DESCRIPTION	QUANTITY	LENGTH
	Round cap screws 4 * 20	4	
	L-shaped Fastening Corner for Fixing Aluminum Rail	2	
	Skirt Cover for Post	2	
	6' Aluminum Post (80 * 80) with 4side channel	2	3050

Component lengths may vary

Digging Holes

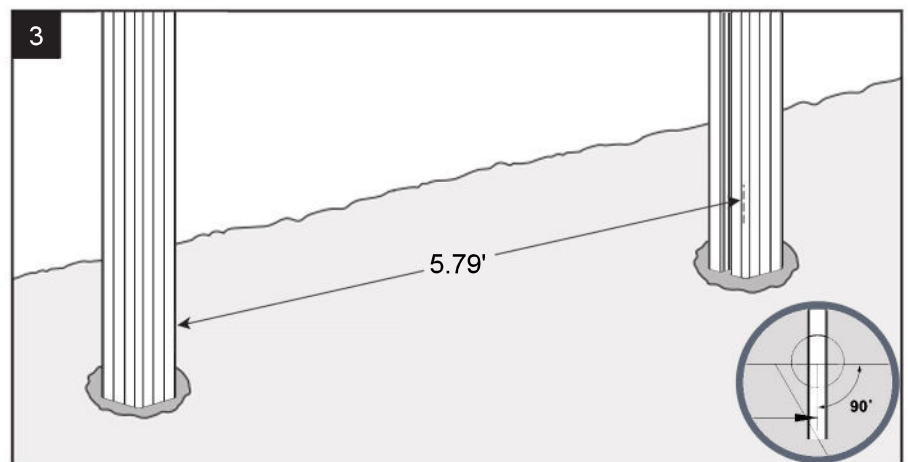


1. Make holes for fence posts, Check with your local government to determine if the fence requires a permit. Make sure the ground is solid enough for bolstering the fence post weight.

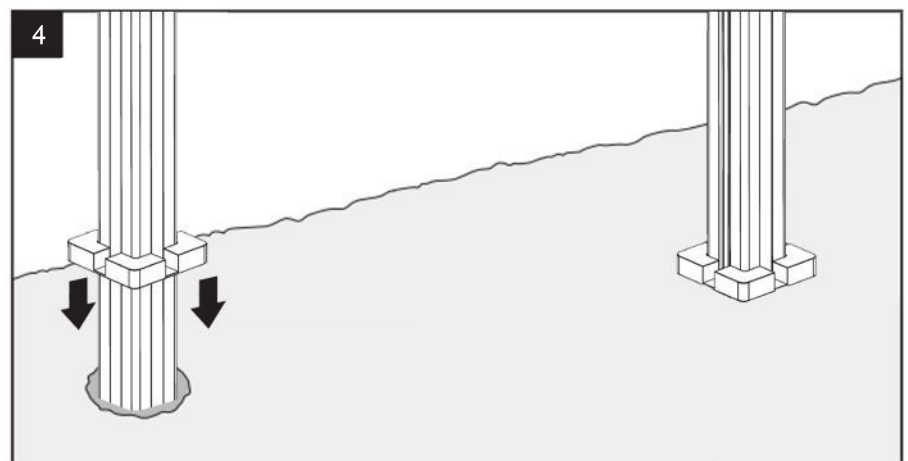


2. Install fence posts in holes at 90° .

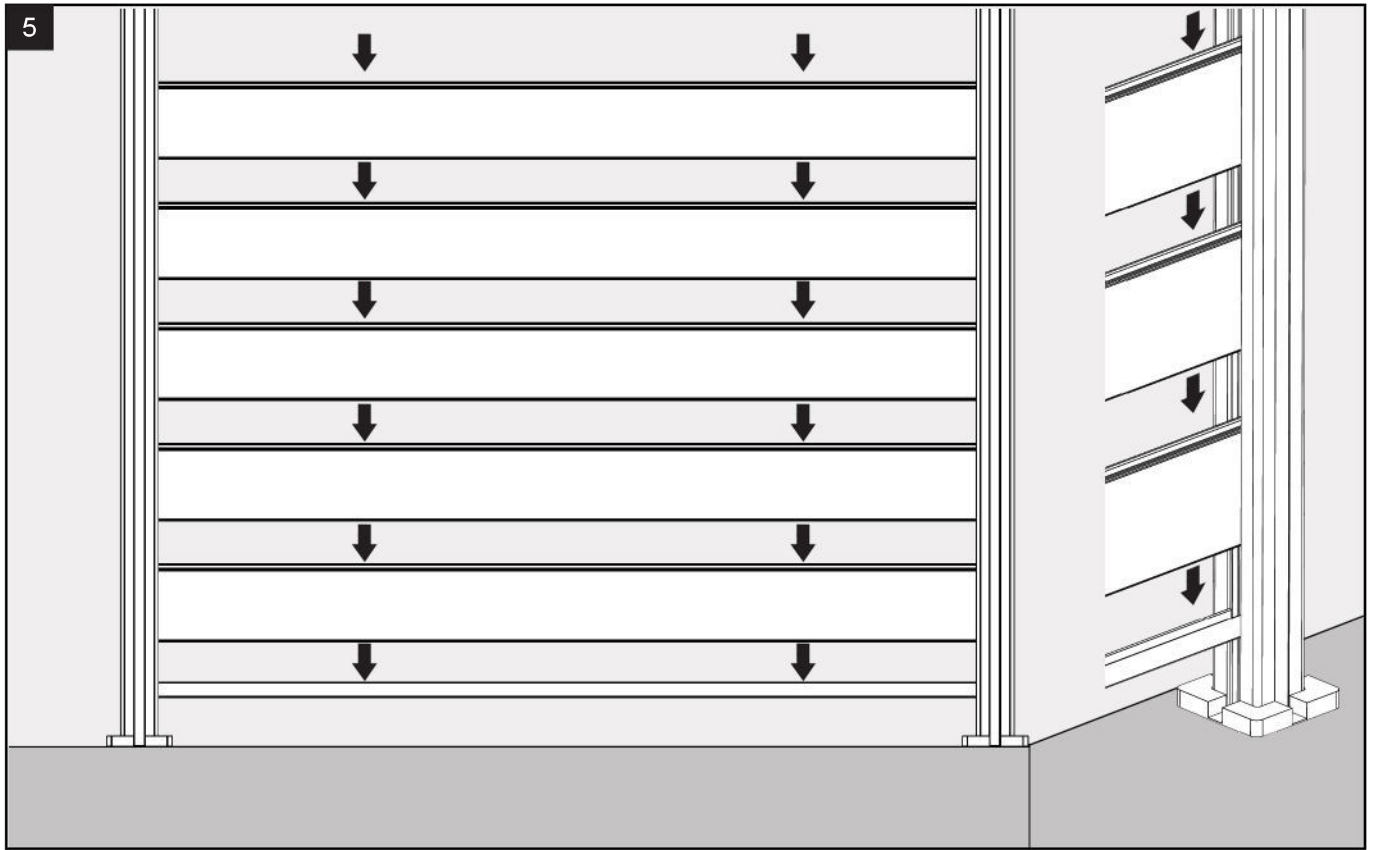
3. Posts inner gaps shall be 5.72'. Install fence posts by setting fence posts in holes at 90° vertically with dry concrete—not wet concrete. After you pour water into the dry mix, the water momentarily fills the hole before filtering out through the soil. The concrete then hardens in less than an hour.



4. Put plastic to fill the floor.



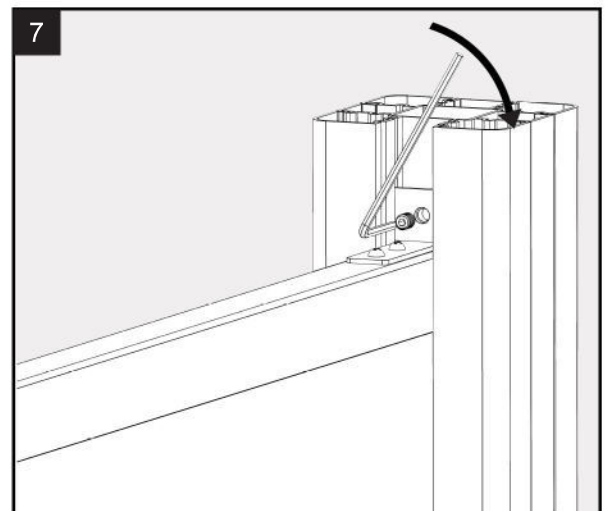
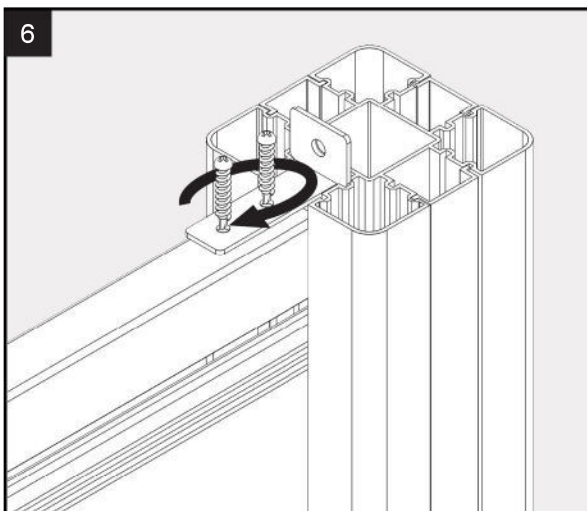
5. Put the aluminum alloy lower guide rail and the fence plate into the aluminum alloy post groove in turn.



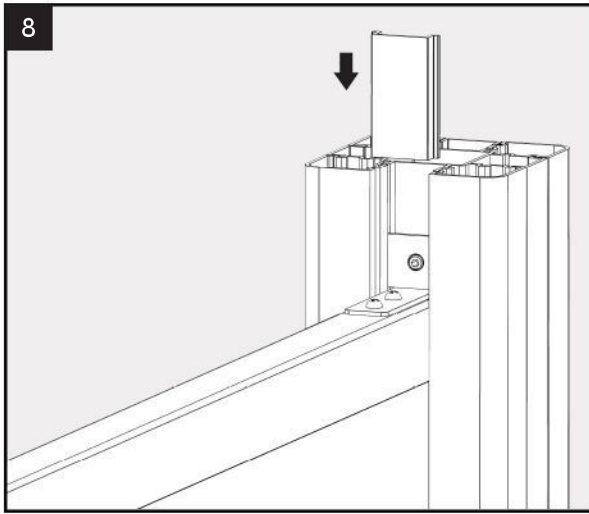
6. Install the aluminum alloy upper guide rail, and use 4*20 round head drill screws to fix the L-shaped fastening corner and the aluminum alloy upper guide rail.

Note: The tightening corner needs to be placed in the second slot.

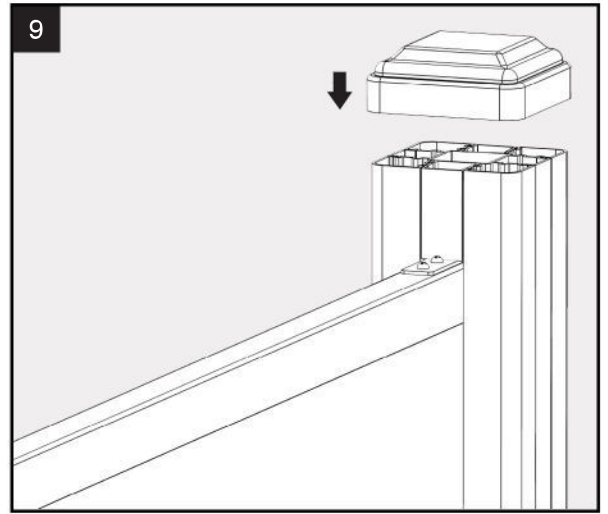
7. Use an Allen wrench to tighten the L-shaped fastening corner, so that the L-fastening corner is firm and does not shake.



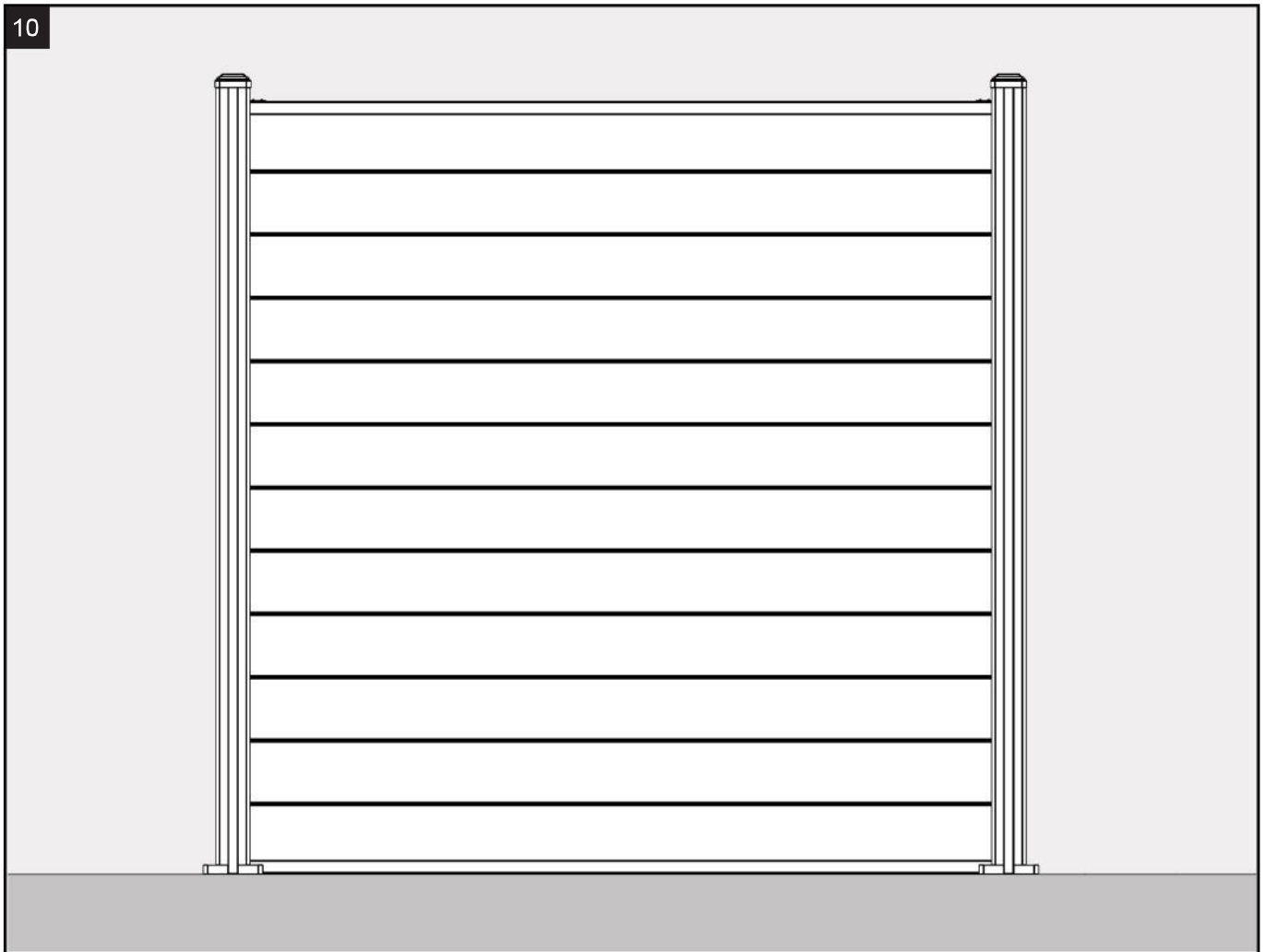
8. Insert the aluminum alloy edge banding plate into the first slot of the aluminum alloy post to hide the L-shaped fastening corner.



9. put the aluminum alloy cap.



10. Complete the installation.



11. Some areas cannot be installed horizontally due to conditions, so it is necessary to install the L-shaped fastening corner under the aluminum alloy lower guide rail, use the 4*20 round cap drill tail screw to fix the lower guide rail and the L-shaped fastening corner, use the hexagonal inner screw to fasten the L-shaped fastening corner, and adjust the horizontal position to complete the installation.

